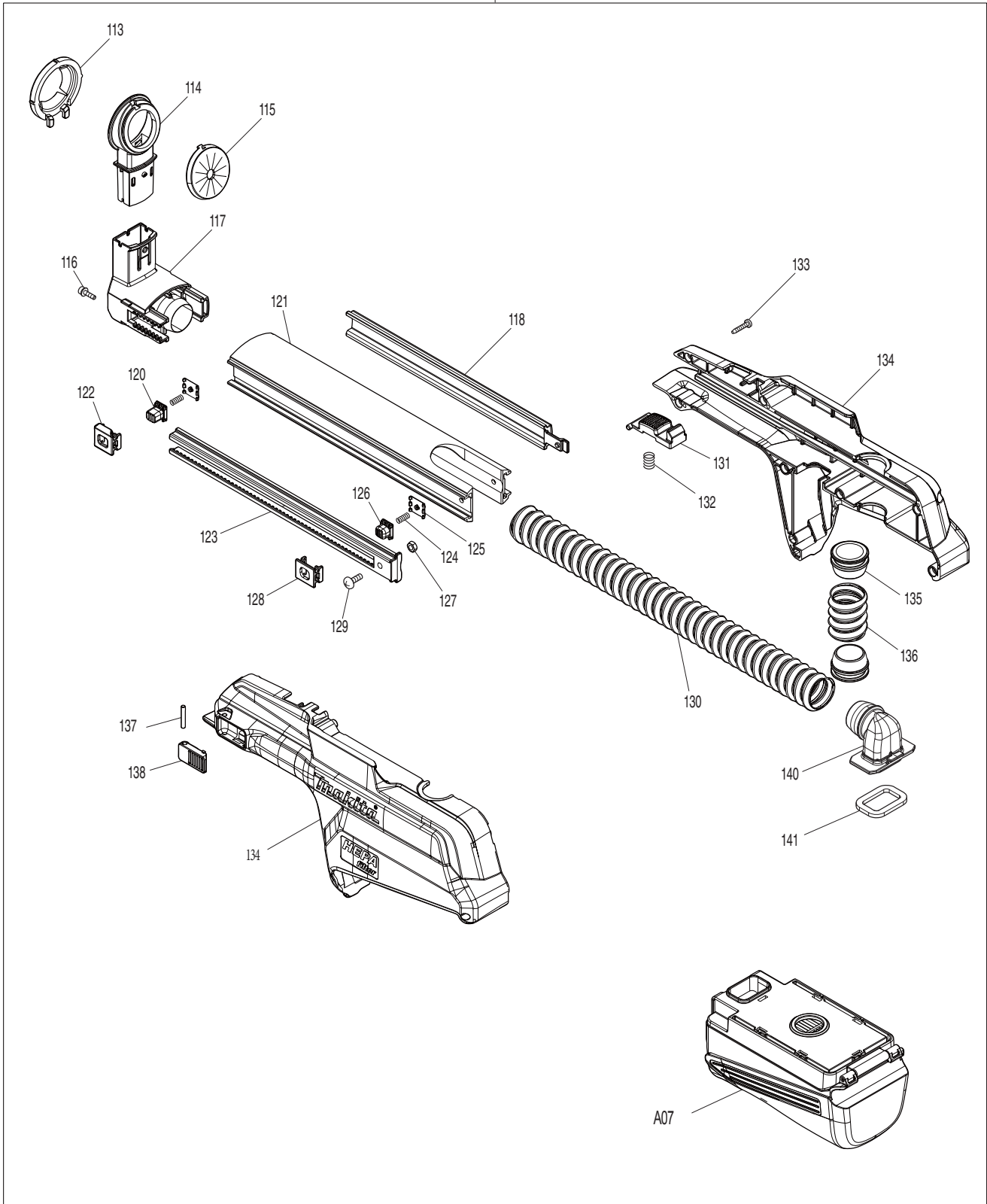


A06



Item No.	Type	Sub	Part No.	Description	Qty	Unit
001			286288-8	CAP 35	1	PC.
002			233989-9	RING SPRING 14	1	PC.
003			346834-0	WASHER 16	1	PC.
004			233992-0	RING SPRING 15	1	PC.
005			267114-0	FLAT WASHER 17	1	PC.
006			455393-4	CHUCK COVER	1	PC.
007			325813-1	RING 21	1	PC.
008			346177-0	GUIDE WASHER	1	PC.
009			233916-6	CONICAL COMP. SPRING 21-29	1	PC.
010			216022-2	STEEL BALL 7.0	2	PC.
011			912207-5	COUNTERSUNK HEAD SCREW M5X10	2	PC.
013			951057-3	SPRING PIN 3-12	1	PC.
014			313278-9	JOINT	1	PC.
015			233455-6	COMPRESSION SPRING 7	1	PC.
016			262561-0	SLEEVE 6	1	PC.
017			281218-4	HOOK	1	PC.
018			264002-2	SQUARE NUT M5	2	PC.
019			266745-2	HEX.BOLT M8X90	1	PC.
020			453129-5	GRIP BASE	1	PC.
022			161656-5	CHANGE LEVER COMPLETE	1	PC.
023			234264-6	COMPRESSION SPRING 3	1	PC.
024			213278-8	O RING 17	1	PC.
025			457709-9	LOCK BUTTON	1	PC.
026	2		140D00-3	* GEAR HOUSING COMPLETE	1	PC.
	2	INC.	213636-8	* OIL SEAL 25	1	PC.
027			331890-3	CUP SLEEVE	1	PC.
028			211294-4	BALL BEARING 6806LLU	1	PC.
029			210028-2	BALL BEARING 606ZZ	1	PC.
030			142972-4	TOOL HOLDER COMPLETE	1	PC.
		INC.	213344-1	OIL SEAL 9	1	PC.
031			216019-1	STEEL BALL 3	4	PC.
032			332139-4	DRIVING FLANGE	1	PC.
033			227360-7	SPUR GEAR 51	1	PC.
034			234148-8	COMPRESSION SPRING 31	1	PC.
035			267153-0	FLAT WASHER 30	1	PC.
036			257932-4	SPIRO LOCK WASHER 30	1	PC.
037			267153-0	FLAT WASHER 30	1	PC.
038			325783-4	SLEEVE 9B	1	PC.
039			325789-2	IMPACT BOLT A	1	PC.
040			325792-3	WASHER 10	1	PC.
041			234149-6	COMPRESSION SPRING 20	1	PC.
042			325793-1	O-RING CASE B	1	PC.
043			213073-6	O RING 9	1	PC.
044			233979-2	RING SPRING 28	1	PC.
045			325784-2	STRIKER	1	PC.
046			213258-4	O RING 17.5	1	PC.
047			310345-1	PISTON CYLINDER	1	PC.
048			346036-8	GUIDE PLATE	1	PC.
049			324215-8	PISTON JOINT	1	PC.
050			234098-7	COMPRESSION SPRING 14	1	PC.
051			267447-3	FLAT WASHER 14	1	PC.
052			257336-0	STOP RING EXT U-6	1	PC.
053			253186-1	FLAT WASHER 7	1	PC.
054			227359-2	SPUR GEAR 10	1	PC.
055			332125-5	CLUTCH CAM	2	PC.
057			326448-1	CAM SHAFT	1	PC.

Item No.	Type	Sub	Part No.	Description	Qty	Unit
058			219023-9	SWASH BEARING 10	1	PC.
059			257321-3	RING 8	1	PC.
060			266437-3	HEX. SOCKET HEAD BOLT M4X16	2	PC.
061			310344-3	BEARING BOX	1	PC.
062			211032-4	BALL BEARING 608ZZ	1	PC.
063			285735-6	BEARING RETAINER	1	PC.
064			227748-1	HELICAL GEAR 27	1	PC.
065			213728-3	O-RING 68	1	PC.
066			265353-6	HEX. SOCKET HEAD BOLT M4X12	2	PC.
067			346222-1	PLATE	1	PC.
068			141573-5	INNER HOUSING COMPLETE	1	PC.
069			346180-1	WEIGHT HOLDER GUIDE	2	PC.
070			256246-8	PIN 6	1	PC.
071			161655-7	COUNTER WEIGHT	1	PC.
072			213678-2	OIL SEAL 12	1	PC.
073			213407-3	O RING 26	1	PC.
074			262571-7	SLEEVE 8	1	PC.
075			210042-8	BALL BEARING 629LLB	1	PC.
076			253733-8	FLAT WASHER 9	1	PC.
077			240182-8	FAN 65	1	PC.
078			457711-2	BAFFLE PLATE	1	PC.
079			457710-4	FAN HOUSING	1	PC.
080			457713-8	FILTER PLATE	1	PC.
081			262184-4	SLEEVE 10	1	PC.
082			240092-9	FAN 64	1	PC.
083			681636-0	INSULATION WASHER	1	PC.
084			211021-9	BALL BEARING 607LLB	1	PC.
085			515417-9	ARMATURE ASSY 115V	1	PC.
		INC.		Item No. 82-84		
086			267804-5	WAVE WASHER 15	1	PC.
087			347230-5	CHANGE PLATE B	1	PC.
088			233360-7	COMPRESSION SPRING 4	1	PC.
089			234343-0	COMPRESSION SPRING 5	1	PC.
090			347229-0	CHANGE PLATE A	1	PC.
091			347228-2	LOCK PLATE	1	PC.
092			266334-3	TAPPING SCREW 4X60	2	PC.
093			454979-1	BAFFLE PLATE	1	PC.
094			633711-8	FIELD 115V	1	PC.
095			819390-8	CLEAR LABEL	1	PC.
096			853M60-7	NAME PLATE F/HR2661	1	PC.
097			195007-0	CARBON BRUSH CB-407 2PC/SET W/ORIGIN	1	SET
098			266060-4	TAPPING SCREW 4X65	4	PC.
099			454977-5	MOTOR HOUSING	1	PC.
100			421868-5	LABYRINTH RUBBER RING 19	1	PC.
101			643936-6	BRUSH HOLDER	2	PC.
102			853M64-9	SERIAL NO. LABEL F/HR2661	1	PC.
103			802Y01-2	CLEAR LABEL	1	PC.
104			265995-6	TAPPING SCREW 4X18	5	PC.
105			650508-0	SWITCH TRIGGER TG813TLB-1 SINGLE W/LOCK VAR	1	PC.
106			682572-3	CORD GUARD 8	1	PC.
107			265995-6	TAPPING SCREW 4X18	2	PC.
108			454978-3	HANDLE COVER	1	PC.
109			687123-7	STRAIN RELIEF	1	PC.
110			664895-1	CORD WITH PLUG 2P-18-4.0M, SJ	1	PC.
113			424722-2	FITTING RUBBER	1	PC.
114			455736-0	COLLECTOR	1	PC.
115			424474-5	SEALING CAP	1	PC.
116			251568-1	H.S.H.BOLT M3X12 WITH WR	2	PC.

Item No.	Type	Sub	Part No.	Description	Qty	Unit
117			457730-8	COLLECTOR BASE A	1	PC.
118			457723-5	PIPE COVER	1	PC.
120			457718-8	PUSH BUTTON B	1	PC.
121			326988-9	SLIDE PIPE	1	PC.
122			457728-5	STOPPER BASE B	1	PC.
123			457722-7	RACK GUIDE	1	PC.
124			232386-6	COMPRESSION SPRING 4	2	PC.
125			457721-9	SPRING PLATE	2	PC.
126			457717-0	PUSH BUTTON A	1	PC.
127			931102-0	HEX. NUT M4	1	PC.
128			457719-6	STOPPER BASE A	1	PC.
129			251314-2	+ SCREW M4X12	1	PC.
130	2		245045-3	* HOSE 30 D	1	PC.
131	2		458668-0	LOCK LEVER	1	PC.
132			231316-4	COMPRESSION SPRING 7	1	PC.
133			266130-9	TAPPING SCREW BIND PT 3X16	8	PC.
134	2		183K50-7	* HOUSING SET	1	SET
135			457712-0	JOINT SLEEVE	2	PC.
136	1		245042-9	HOSE 30 C	1	PC.
	2		245047-9	HOSE 30	1	PC.
137			256158-5	PIN 3	1	PC.
138			457720-1	PUSH LEVER	1	PC.
140			457724-3	INNER PIPE	1	PC.
141			457725-1	SPONGE SHEET B	1	PC.
144			422317-5	* SPONGE SHEET (No longer used)	2	PC.
145			458687-6	* STOPPER	1	PC.
146			422315-9	* DAMPER	1	PC.
D01			654069-2	RECEPTACLE	2	PC.

ACCESSORIES

- Visit www.makita.ca for more accessories information -

A01			324219-0	DEPTH GAUGE	1	PC.
A02			424474-5	SEALING CAP	5	PC.
A03			821721-9	PLASTIC CARRYING CASE	1	PC.
		INC.	162271-8	LATCH	2	PC.
A04			126406-5	HANG HOOK ASS'Y	1	PC.
		INC.		Item No. 13-17		
A05			158057-6	GRIP 36 COMPLETE	1	PC.
		INC.	931402-8	HEX. NUT M8	1	PC.
A06	4		136018-6	* DUST COLLECTION SYSTEM	1	PC.
	4	INC.		* Item No.113-118,120-141, A07		
A07			198982-9	DUST CASE SET	1	PC.
		INC.	144617-0	DUST CASE COM.	1	PC.
		INC.	196164-7	HEPA FILTER (BULK#168692-2)	1	PC.
A08			D-14093	CHUCK ADAPTER (SDS-PLUS)	1	PC.
A09			122574-2	DRILL CHUCK ASS'Y	1	PC.
A10			192877-8	DRILL CHUCK S13	1	PC.
A11			192892-2	KEYLESS DRILL CHUCK	1	PC.
A12			194254-0	KEYLESS DRILL CHUCK SET	1	PC.
A13			751106-4	CHUCK ADAPTER	1	PC.
A14			763432-9	CHUCK KEY S13	1	PC.
A15			191686-2	SAFETY GOGGLE	1	PC.
A16	2		194683-7	GREASE VESSEL SET	1	PC.
A17			195048-6	DUSTCUP SET W/ORIGIN, DESCRIPTION PKG	1	PC.
A20			331886-4	DEPTH GAUGE	1	PC.
A21			343411-9	CUTTER	1	PC.
A22			195548-6	JOINT 22-38 - PKG	1	PC.
A23			421342-3	DUST CUP 5	1	PC.
A24			421664-1	DUST CUP 9	1	PC.

Item No.	Type	Sub	Part No.	Description	Qty	Unit
A25			765009-6	BLOW-OUT BULB 64	1	PC.
A26			195127-0	OIL VESSEL SET	1	PC.
A27			196965-3	HAMMER SERVICE KIT	1	PC.
A28			---	CARBIDE-TIPPED DRILL BITS (SDS-PLUS C.T. BIT)		
A29			---	CORE BIT		
A30			---	BULL POINT		
A31			---	DIAMOND CORE BIT		
A32			---	COLD CHISEL		
A33			---	SCALING CHISEL		
A34			---	GROOVING CHISEL		

SERVICE CHANGES

1. Gear Housing Complete

(T/I# C3971)

Item No.	Description	Type 2	Type 3	Type 4
026	Gear Housing Complete		144615-4	140D00-3
A06	Dust Collection System	135599-4	136006-3	136018-6
134	Housing Set		183G77-3	183K50-7
145	Stopper	-	-	458687-6
146	Dumper	-	-	422315-9
130	Hose 30D		245043-7	245045-3
144	Sponge sheet	-	422317-5	-

1)

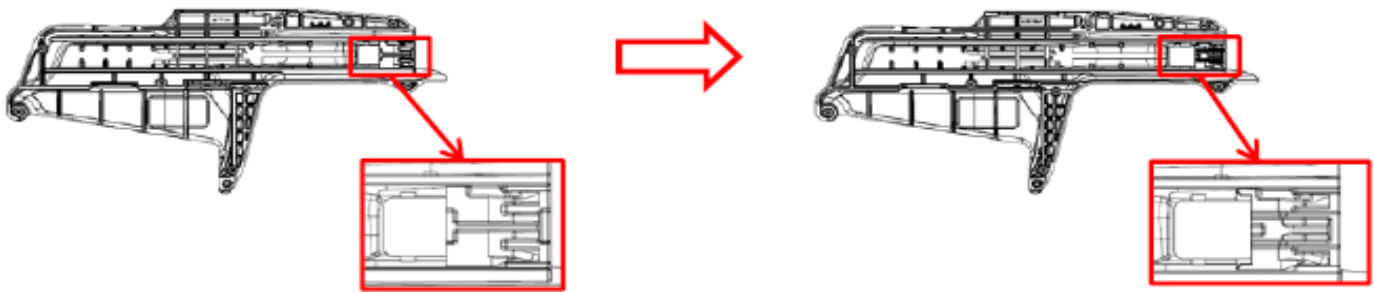
1)

2)

Above parts are completely interchangeable as a set.

(Item No. 134, 145, 146 and 130 are components of Item No. A06)

1) Addition of Stopper and Dumper



2) Addition of Sponge Sheet (No longer applied for Type 3 ~)

